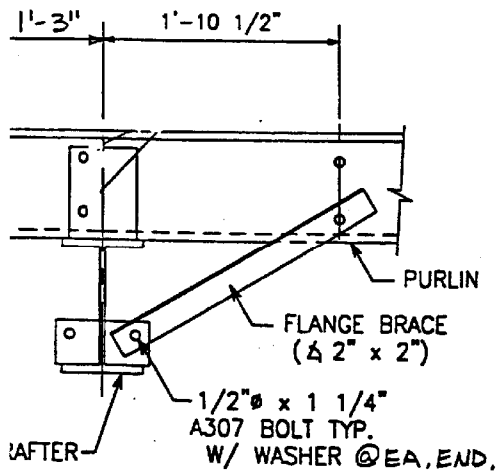


SEQUENCE OF ERECTION:

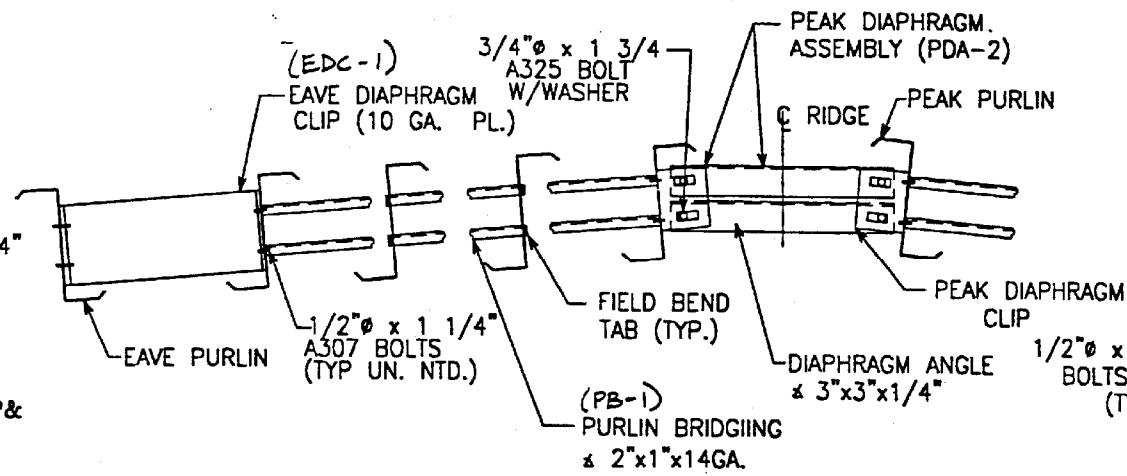
- ① INSTALL PB-1 BETWEEN PEAK PURLIN AND NEXT PURLIN DOWNHILL.
- ② INSTALL (PDA-2) BETWEEN PEAK PURLINS.
- ③ INSTALL PB-1 DOWNHILL TO NEXT TO LAST PURLIN SPACE.
- ④ INSTALL EDC-1 AT EAVE.

PURLIN BRIDGING PLAN DETAIL

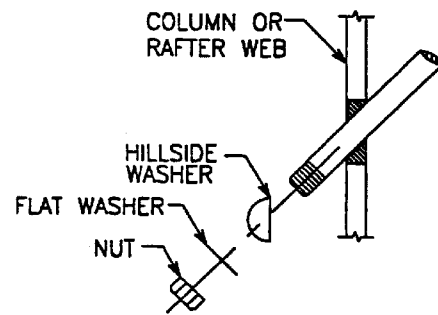


FLANGE BRACE DETAIL

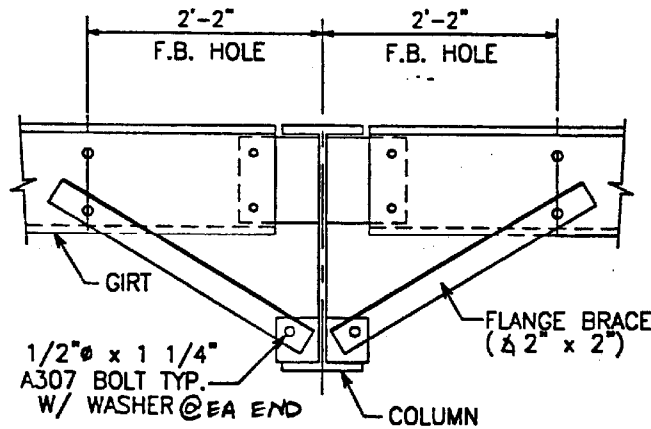
(ENDBAY CONDITION)



**PURLIN BRIDGING DETAIL
WEATHER SPAN ROOF**

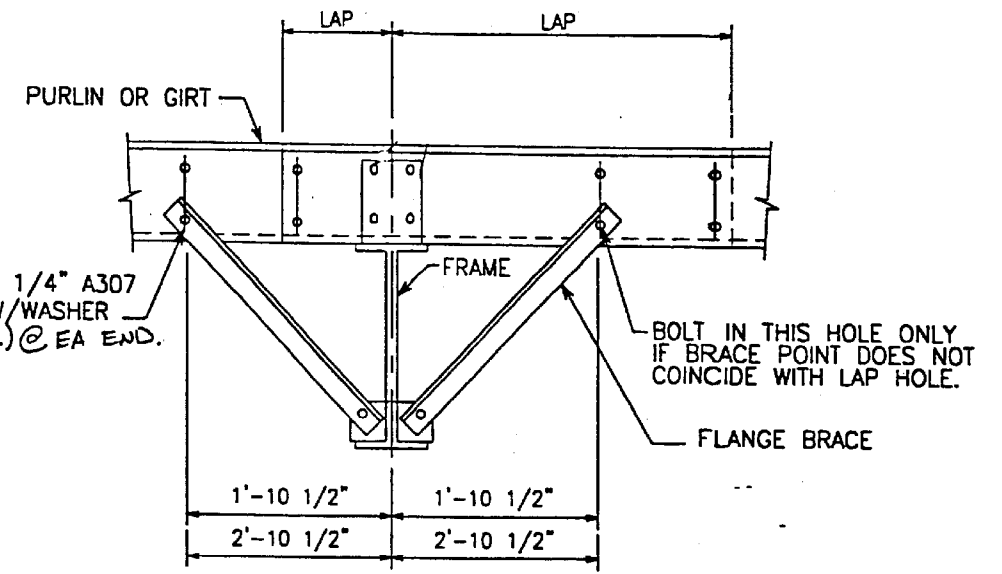


ROD BRACING DETAIL



FLANGE BRACE DETAIL

(FLUSH GIRT CONDITION)

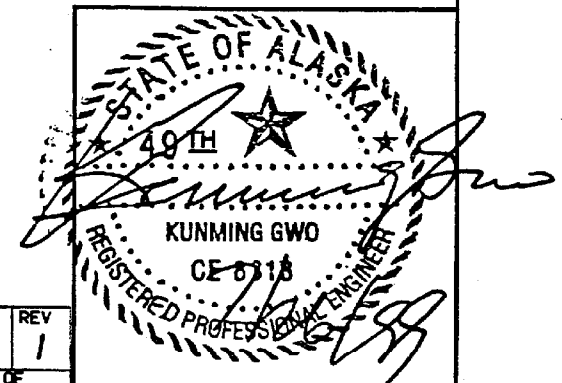


FLANGE BRACE DETAIL

(BYPASS CONDITION)

NOTES:

- ① ALL BOLTS 1/2" x 1 1/4" A307 BOLTS W/ WASHER.
- ② LAPS VARY AND ARE NOT NECESSARILY THE SAME ON EACH SIDE OF FRAME.
- ③ END FRAMES HAVE FLANGE BRACE ON ONE SIDE ONLY.
- ④ USE 1'-10 1/2" DIMENSION WHEN RAFTER DEPTH IS LESS THAN 30".
- ⑤ USE 2'-10 1/2" DIMENSION WHEN RAFTER DEPTH IS GREATER THAN 30".



DATE		DESCRIPTION		REVISION BLOCK				PROJECT:	ALYESKA WARM STORAGE	DRAWN:	DATE:	JOB NO.	PAGE:
7/27/99		FOR APPROVAL						CUSTOMER:	PEAK OILFIELD SERVICE	R.Hu/EEF	7-16-99	1630	PEB-9
7/27/99		RESUBMIT FOR APPROVAL						LOCATION:	PUMP STATION #12, ALASKA				

REV. DATE	DESCRIPTION	DWN.	CKD.	APP.	DWG. NO.	REV.
1	9/02 INITIAL ISSUE PER F044, ER#9436-0				HCI STEEL BLDG - 0004	1